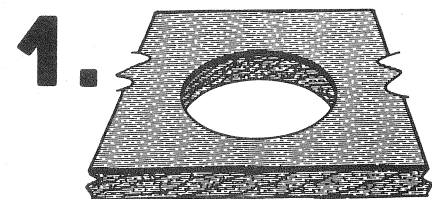
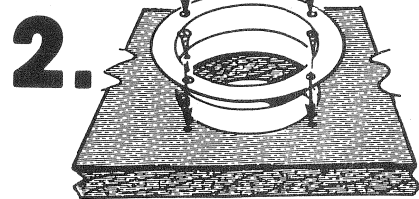


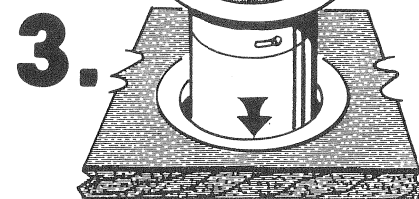
INSTALLATION:



1. Cut hole size for desired dispenser. To determine proper hole diameter refer to letter "E" of specifications.



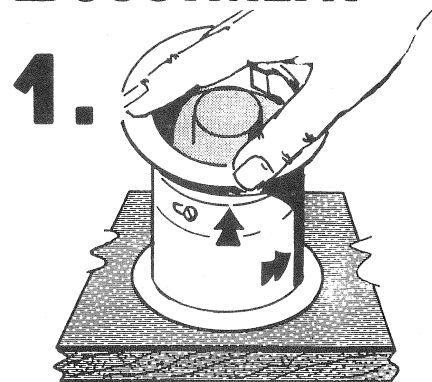
2. Fasten mounting ring securely over hole with the supplied mounting hardware.



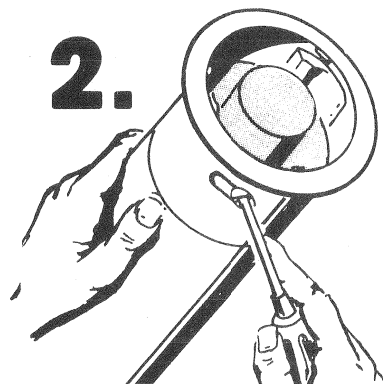
3. Place dispenser into hole. Align ear tabs on dispenser to openings on mounting ring. Rotate dispenser one quarter turn clockwise to secure to counter.

NOTE: This unit is self supported by mounting ring. No additional support is needed when mounting in a horizontal position.

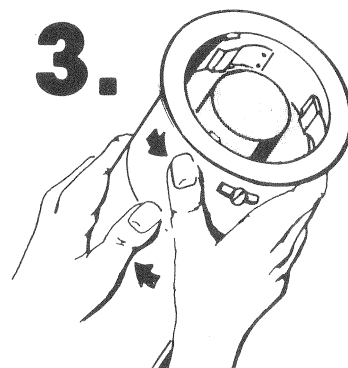
ADJUSTMENT



1. Remove dispenser from counter by rotating counterclockwise and pulling from hole.



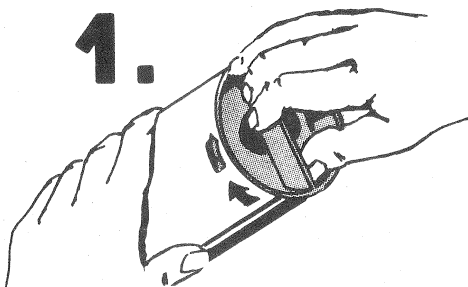
2. Loosen locking screw, and load cups into dispenser.



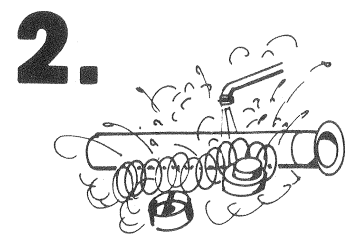
3. Turn collar counterclockwise until adjustment clips hold cups firmly in place. Tighten locking screw. DO NOT BEND CLIPS BY HAND!

NOTE: For proper operation, cups should dispense from middle of adjustment clips.

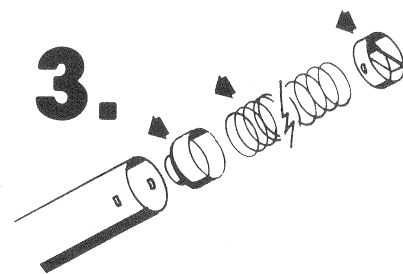
MAINTENANCE:



1. Remove spring assembly by rotating plastic base clockwise until tabs are released from window. Pull bottom out carefully.



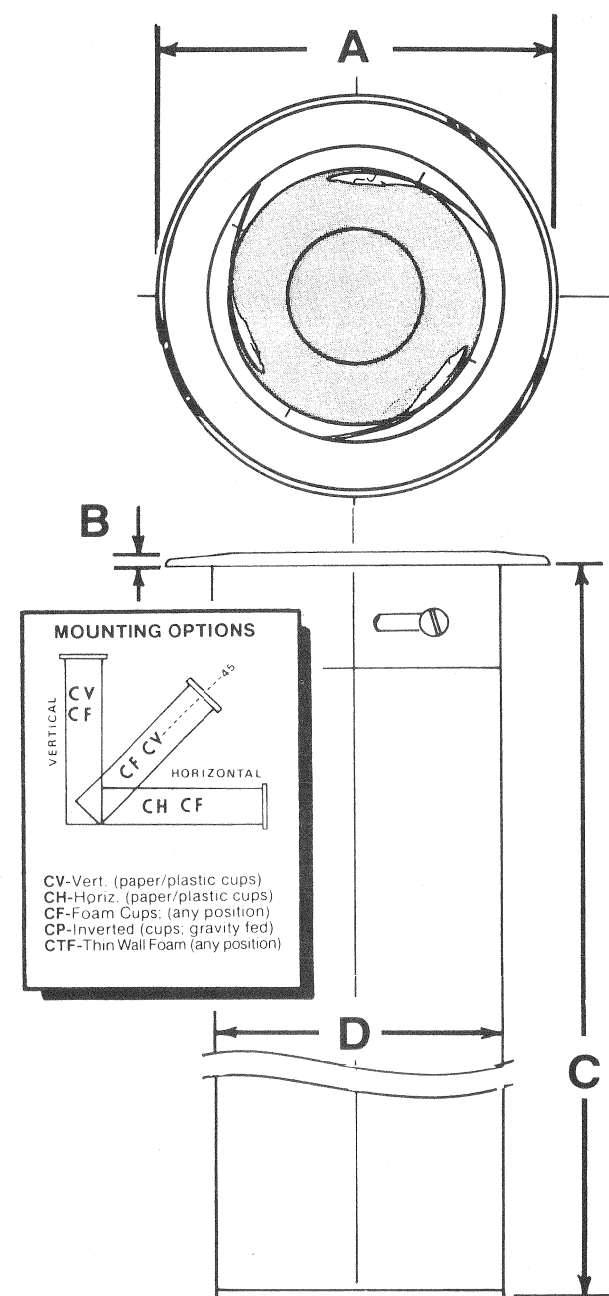
2. Remove spring and cup holder., Wash all parts with warm soapy water to remove dirt and wax build up. Do not bend the adjustment clips by hand.



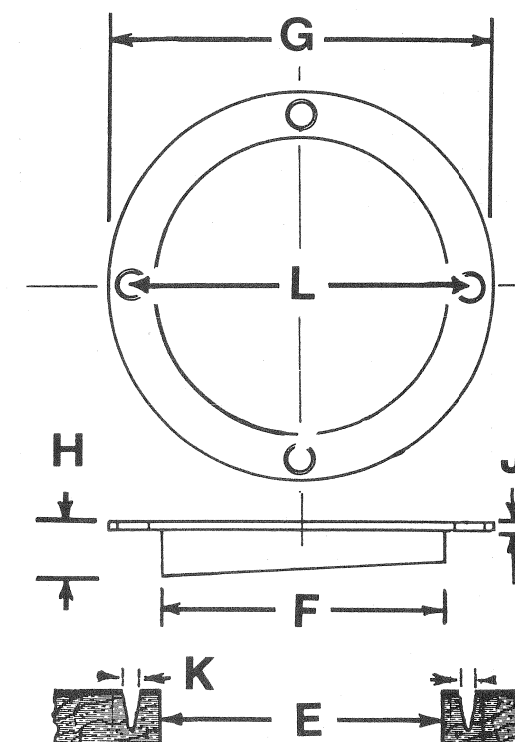
3. Reassemble unit by inserting cup holder, spring and bottom, making sure tabs snap into windows. Be sure to check adjustment before reinstalling.

COUNTER MOUNT-TYPE CUP DISPENSERS

DISPENSER



MOUNTING RING



	C3200C-SERIES	C3400C-SERIES	C3500C-SERIES
COUNTER FLANGE DIAMETER A	5 3/8" 137 mm	5 7/8" 149 mm	6 7/8" 174 mm
COUNTER FLANGE HEIGHT B	9/32" 7 mm	9/32" 7 mm	9/32" 7 mm
TUBE LENGTH C	23 1/2" 597 mm	23 1/2" 597 mm	23 1/2" 597 mm
TUBE DIAMETER D	3 25/32" 96 mm	4 9/32" 109 mm	5 9/32" 134 mm
COUNTER HOLE DIAMETER E	4 3/16" 106 mm	4 11/16" 119 mm	5 11/16" 144 mm
MOUNTING RING FLANGE DIAMETER F	4 1/8" 105 mm	4 5/8" 117 mm	5 9/16" 141 mm
MOUNTING RING OUTSIDE DIAMETER G	5 1/8" 130 mm	5 5/8" 143 mm	6 5/8" 168 mm
MOUNTING RING DEPTH H	17/32" 13 mm	17/32" 13 mm	17/32" 13 mm
MOUNTING RING HEIGHT J	1/16" 2 mm	1/16" 2 mm	1/16" 2 mm
MOUNTING RING SCREW HOLE DIA. K	1/8" 3 mm	1/8" 3 mm	1/8" 3 mm
CENTER TO CENTER L	4 5/8" 117 mm	5 5/32" 131 mm	6 1/8" 156 mm